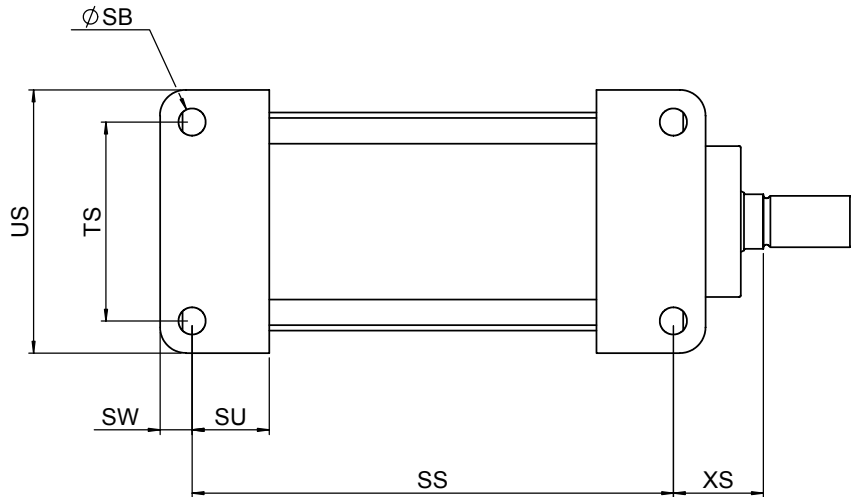
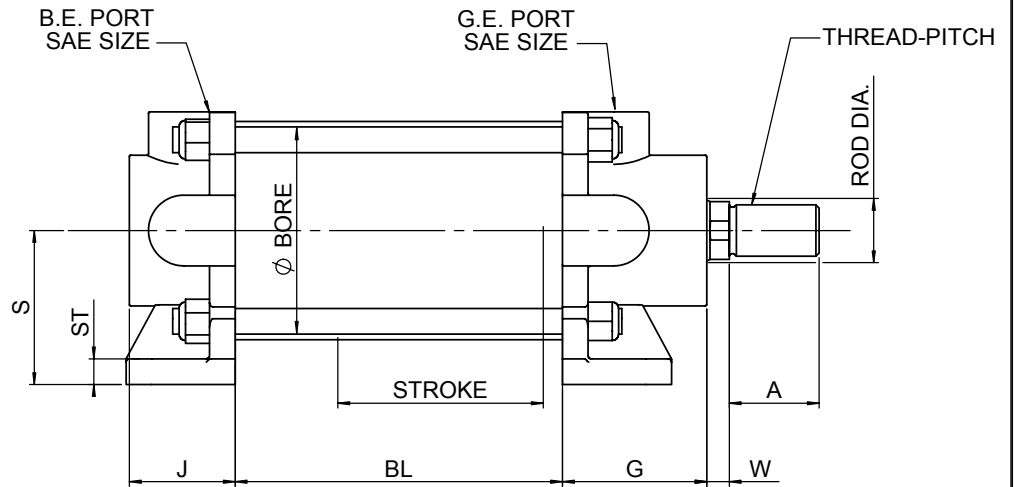
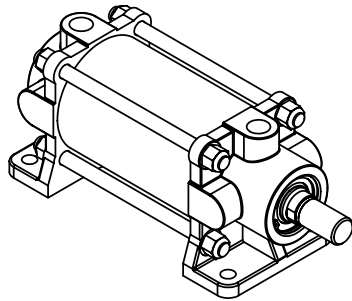


CYLINDER DIMENSIONS (INCHES)

BORE	
STROKE	
ROD DIA.	
THREAD - PITCH	
A	
W	
G	
BL	
J	
G.E. PORT SAE SIZE	
B.E. PORT SAE SIZE	
S	
ST	
US	SU
TS	SW
SB	SS
CUSHIONED?	XS

Model Code	R												
SERIES	BORE	STYLE	STROKE	ROD MATERIAL	ROD SIZE	THREAD	CUSHIONS	BARREL	PORT LOC'N	PORT SIZE	OPTIONS	CUSTOM	

SEE R-SERIES CATALOG BACK COVER FOR EXPLANATION OF CODES



DRAWN N.B.				CUSTOMER			
DATE DECEMBER 09 2003				WESTCOAST CYLINDERS INC. NEW WESTMINSTER, B.C. - CANADA			
SCALE							
CHKD.		APPR.		TITLE R-SERIES RF TEMPLATE DRAWING		DRAWING No.	
No.	DATE	REVISION	REV. BY	REF.DWG.			REV.